

# SPREAD AXLE LOWBOY SERIES



**55SA AND 60SA**



# 55SA-60SA



A low-pressure hydraulic system ensures a support function and delivers maximum lifting power.

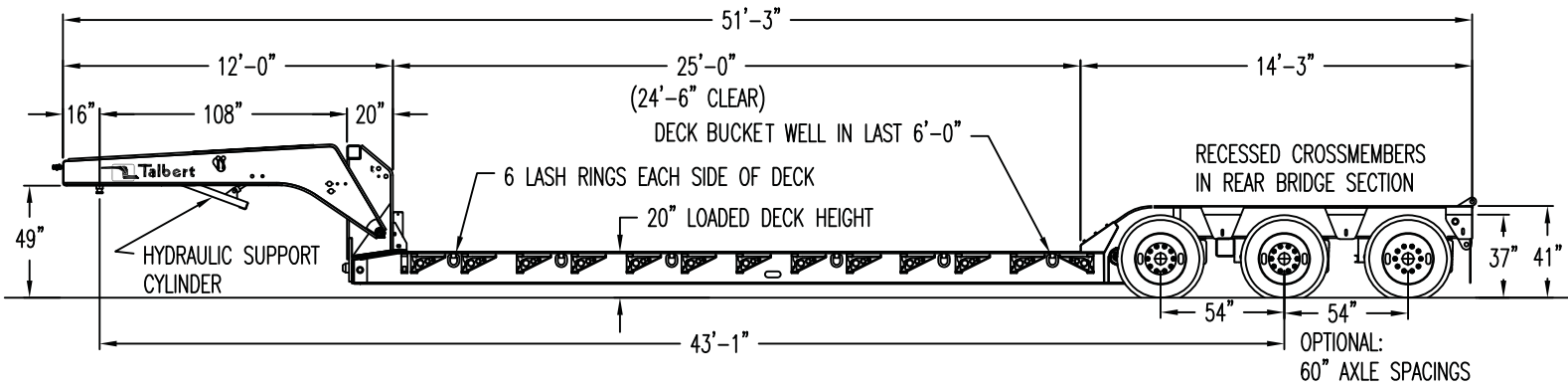


Robust, four-cylinder hydraulic removable gooseneck maximizes lift capacity and load height.



Best-in-class lift capacity of any trailer on the market.

# 55SA AND 60SA



- Non-Ground Bearing Gooseneck Design
- 108 in. Swing Radius (Other Lengths Optional)
- Hydraulic Support Cylinder (Standard)
- Front Folding / Fixed Ramps (Optional)
- Deck Length: 25 ft. 0 in
- 55SA Loaded Deck Height: 20 in.
- 60SA Loaded Deck Height: 22 in.
- 6 in. Loaded Road Clearance
- 12 in. Swinging / Removable Outriggers
- 8 ft. 6 in. Wide Deck
- 1/4 in. Plate Bucket Well in Last 6 ft. of Deck
- High Strength 100,000 P.S.I. Minimum Yield Steel
- 1-1/2 in. Apitong Flooring
- Axles: 25,000 lb. Capacity
- Suspension: Air Ride With Automatic And Talbert +3/-3 Controls
- Manual Exhaust Valve
- Tires: 275/70R22.5 (H)
- Wheels: Steel Disc, Hub Piloted With Outboard Brake Drums
- Bolsters And Half Bolster On Rear Bridge
- 41 in. Mainbeam / 37 in. Bolster Height
- Bucket Well In Rear Bridge
- Spring Parking Brake On Axle Two
- 4th Axle And 3+1 Spread Capable
- 12 Volt L.E.D. Sealed Light System
- Talbert Red Or Black Paint
- 55SA Capacity: 110,000 lb. in 1/2 Deck Length
- 55SA Estimated Weight: 20,850 lbs.
- 60SA Capacity: 120,000 lb. in 1/2 Deck Length
- 60SA Estimated Weight: 22,590 lbs.

Various Options Available Upon Request. Specifications Subject To Change Without Notice.



Dealer:

Talbert Manufacturing Inc. \ 1628 W. State Road 114 \ Rensselaer IN 47978 \ 800-348-5232 \ Fax: 219-866-7060

sales@talbertmfg.com \ www.talbertmfg.com

0214-300 PUB 220C