

AUSTIN CARRY-ALL TAG-A-LONG SERIES



TT-10 / TT-20 / T3T-25



TILT SERIES



Pierced I-beam cross members are built on a rock-solid foundation on Talbert Tags and Tilts.

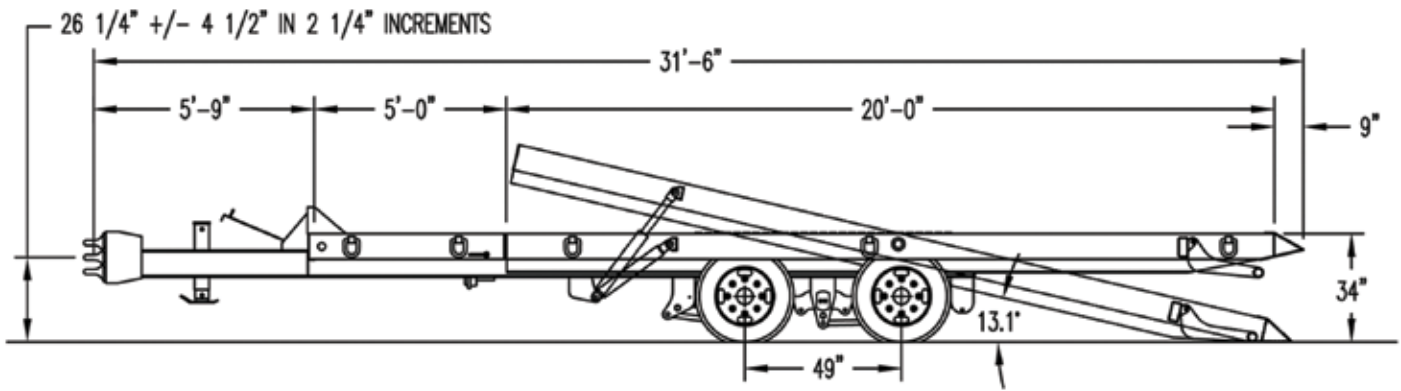


Apitong flooring – proven performance and durability ensures a solid base for any load.



Dual cushioning cylinders conveniently tilt, allowing for a balanced deck angle when loading or unloading equipment.

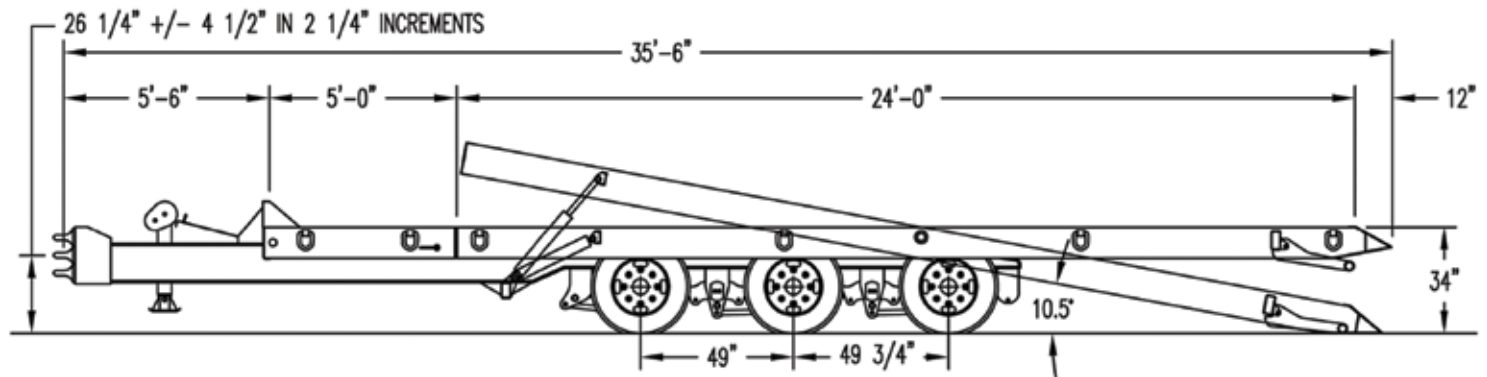
TT-10/TT-20



- 20,000 - 40,000 lb. Capacity
- Adjustable 3 in. Pintle Eye
- Safety Chains With Hooks
- 15,000 lb. Single Speed Drop Leg
- Lockable Tool Box
- 8 in. Headboard
- 25 ft. 0 in. Deck (5 ft. 0 in. Stationary, 20 ft. 0 in. Tilt)
- 34 in. Loaded Deck Height
- Air Operated Deck Lock
- Dual Cushioning Cylinders
- Apitong Flooring
- Floor Plate Over Wheel Wells
- Tires: 215/75R17.5 (H)
- Wheels: Steel Disc Hub Piloted
- Air Brakes With 2S1M ABS
- Hutch Spring Suspension
- 5 Lash Rings Each Side
- Knife Edge Rear Approach
- Retractable Rear Bumper
- Estimated Weight: TT-10: 7,740 lbs.
TT-20: 10,300 lbs.
- Talbert Red Or Black Paint

Various Options Available Upon Request. Specifications Subject To Change Without Notice.

T3T-25



- 50,000 lb. Capacity
- Adjustable 3 in. Pintle Eye
- Safety Chains With Hooks
- 25,000 lb. Two (2) Speed Drop Leg
- Lockable Tool Box
- 8 in. Headboard
- 29 ft. 0 in. Deck (5 ft. 0 in. Stationary, 24 ft. 0 in. Tilt)
- 34 in. Loaded Deck Height
- Air Operated Deck Lock
- Dual Cushioning Cylinders
- Apitong Flooring
- Floor Plate Over Wheel Wells
- Tires: 215/75R17.5 (H)
- Wheels: Steel Disc Hub Piloted
- Air Brakes With 2S1M ABS
- Hutch Spring Suspension
- 6 Lash Rings Each Side
- Knife Edge Rear Approach
- Retractable Rear Bumper
- Estimated Weight: 14,100 lbs.
- Talbert Red Or Black Paint

Various Options Available Upon Request. Specifications Subject To Change Without Notice.

Dealer:



Talbert Manufacturing Inc. \ 1628 W. State Road 114 \ Rensselaer IN 47978 \ 800-348-5232 \ Fax: 219-866-7060

sales@talbertmfg.com \ www.talbertmfg.com

0312-4k PUB 212B